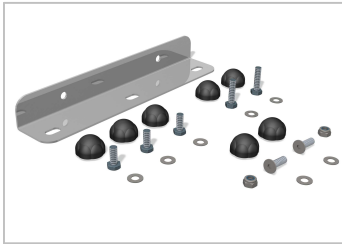


Product Information

Moulded Platform Slide



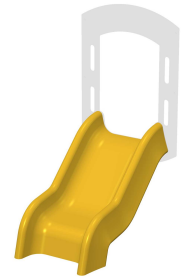
FISLTOPBRKT
HDPE Moulded Platform
Slide Top Fixing Kit



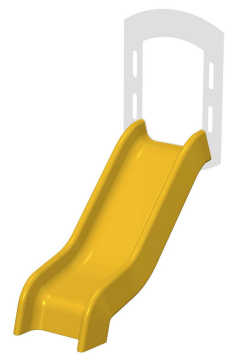
FISLFOOT
HDPE Moulded Platform
Slide Ground Fixing Kit



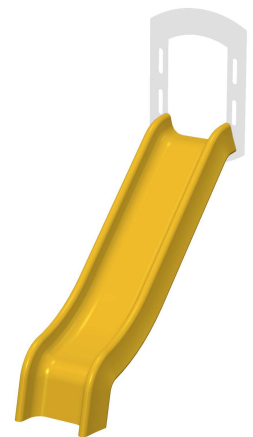
FISLIDE1200
HDPE Moulded Platform
Slide - 1.2m



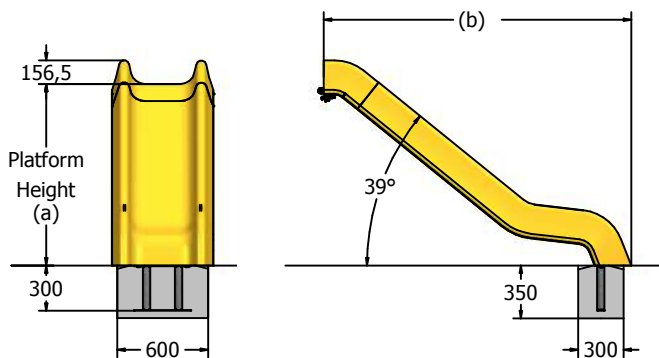
FISLIDE600
HDPE Moulded Platform
Slide - 0.6m



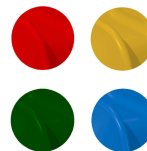
FISLIDE900
HDPE Moulded Platform
Slide - 0.9m



FISLIDE1500
HDPE Moulded Platform
Slide - 1.5m



Colour Options:



(a)	(b)
600mm	1124 (+/- 15mm)
900mm	1704 (+/- 15mm)
1200mm	2034 (+/- 15mm)
1500mm	2224 (+/- 15mm)

Designed to
British & European
Standard BS EN 1176

Age Range: 2+ Years
Largest Part: Slide (a)+156.5mm x (b)
Total Weight: Slide (0.6m = 10kg), (0.9m = 16kg), (1.2m = 23kg), (1.5m = 32kg)
Free Space: 2m diameter x 1.5m high cylinder measured along the centre line of slide's surface
Surfacing : 1.5m from the extents with a 2m run out (1m run out for 0.6m Platform Slide)

Not Included
(available separately)

- Bracket & fixings for slide to platform
- Foundation anchor & fixings
- Platform
- Entry Panel

Material: **HDPE Moulded Platform Slide** - High Density Polyethylene (HDPE) with a smooth finish
Top Angle Bracket - Stainless Steel with a brushed finish
Ground Anchor - Welded Steel with a galvanised finish

Colour Choices: **HDPE Moulded Platform Slide** - Yellow, Red, Green & Blue